
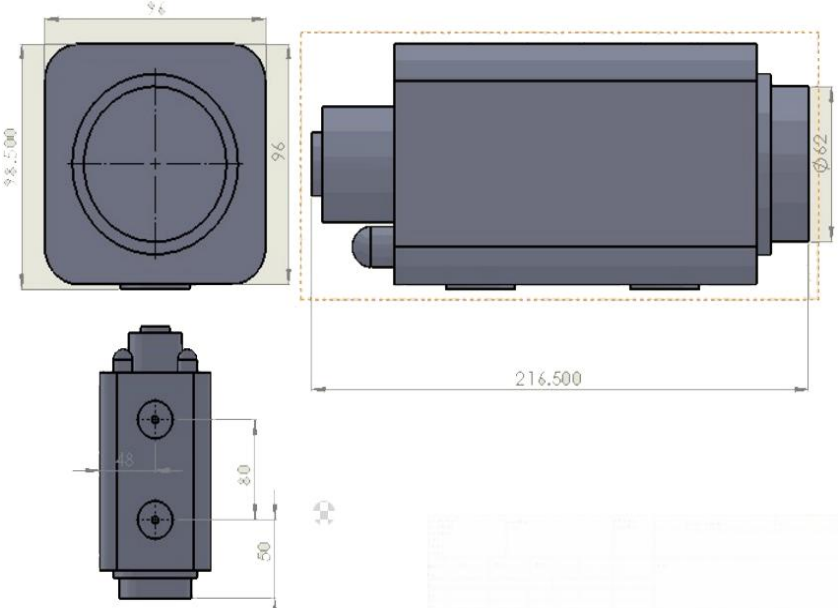



# SPECIFICATIONS

Parameter of Lens		Photo ( Just for Reference )
Name	2Mega pixel/IR	
Model No	SV10500IRMP-2C	
Focal-Length(mm)	10 ~ 500	
Aperture(D/f')	F3.5	
Mount	C	
Format(inch)	1/1.8"	
Field of View(H-fov)		
Mega pixel	2	
Weight(g)		
M.O.D(m)		
Operation	Focus	Manual
	Zoom	Manual
	Iris	Manual

<b>Size</b>					
					

<b>Tolerance</b>	Dimension	0-10	10-30	30-100	Unit
	Tolerance	±0.10	±0.20	±0.30	mm